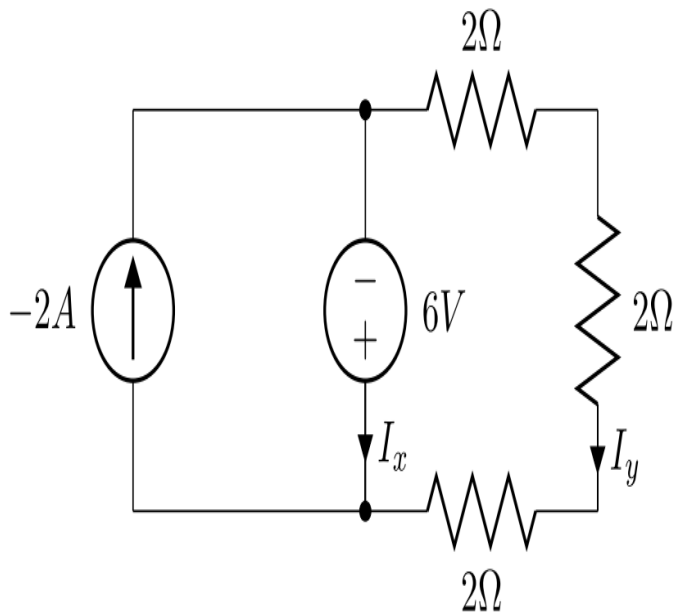


3,000 Solved Problems in Electrical Circuits



Schaum's powerful problem-solver gives you 3, problems in electric circuits, fully solved step-by-step! The originator of the solved-problem.dolcevitaatcc.com uploaded by. uploader avatar Tuhin Mahanty Solved Problems in Electric Circuits Schaums. uploaded by. uploader avatar.Objective Type Questions in Electrical Engineering. uploaded by. uploader avatar Romel Panis. Solved Problems in Circuit Analysis Part 2. uploaded by.Compatible with any classroom text, Schaum's Solved Problems in Electric Circuits lets you progress at your own pace and find the answers you need-fast!.Solved Problems in Electrical Circuits by Nasar, Syed A. and Nassar, Syed and Nasar Syed available in Trade Paperback on.Schaum's Solved Problems in electric circuits. Material. Type. Book. Language English. Title. Schaum's Solved Problems in electric circuits. Author(S).Schaum's powerful problem-solver gives you problems in electric circuits, fully solved step-by-step! The originator of the solved-problem guide, and.Schaum's Solved Problems Series: Solved Problems in Electric Circuits by Nasar, Syed A. and a great selection of similar Used, New and Collectible.Schaum's solved problems in electric circuits, Volumes Front Cover. S. A. Nasar. McGraw-Hill, - Mathematics - pages.Solved Problems Series. SOLVED PROBLEMS IN. ELECTRIC. CIRCUITS. The world's original and most popular Solved Problem Study Guide.Schaum's powerful problem-solver gives you 3, problems in electric circuits, fully solved step-by-step! The originator of the solved-problem guide, and.By Syed Nasar. Schaum's strong problem-solver offers 3, difficulties in electrical circuits, absolutely solved step by step! The originator of the solved-problem.Schaumas powerful problem-solver gives you 3, problems in electric circuits, fully solved step-by-step! The originator of the solved-problem guide, and. Booktopia has Schaums Solved Problems In Electrical Circuits, Schaum's Solved Problems by Syed Nasar. Buy a discounted Paperback of Schaums .dolcevitaatcc.com Akash singh Bhadoria. Uploaded by. Akash singh Bhadoria. connect to.dolcevitaatcc.com: Solved Problems in Electrical Circuits ():: Books.Read full articles, watch videos, browse thousands of titles and more on the " Solved Problems in Electrical Circuits" topic with Google News.Engineers electrical engineering important and most frequently asked questions in interviews Solved Problems in Electrical Circuits.

[\[PDF\] Armored Warfare In The Jungle Environment](#)

[\[PDF\] Web Site Usability Handbook \(Internet Series\)](#)

[\[PDF\] Tarzan, historias de la jungla, VI \(Spanish Edition\)](#)

[\[PDF\] When All Roads Lead to the Standoff: How Corporate Governance Fuels White Supremacy](#)

[\[PDF\] Field Manual FM 3-04.203 Fundamentals of Flight May 2007](#)

[\[PDF\] Sharia: Theory, Practice, Transformations](#)

[\[PDF\] New Orleans Gentlemen: Roarke: Der Abenteurer / Shayne: Der Verfuhrer / Michael: Der Beschutzer \(Ger](#)